

RECORD OF SURVEY

LYING IN SECTION 7, TOWNSHIP 15 NORTH, RANGE 58 WEST OF THE 6TH PRINCIPAL MERIDIAN KIMBALL COUNTY, NEBRASKA



LEGAL DESCRIPTION PARCEL 1:

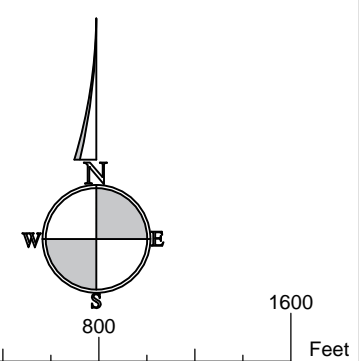
PART OF SECTION 7, TOWNSHIP 15 NORTH, RANGE 8 WEST OF THE 6TH PRINCIPAL MERIDIAN BEING MORE PARTICULARLY DESCRIBED AS FOLLOWS:

BEGINNING AT THE SOUTHEAST CORNER OF SAID SECTION 7; THENCE NORTHERLY, ALONG THE EAST LINE OF SAID SECTION 7 N2°21'16\"E A DISTANCE OF 2644.70 FEET TO THE EAST 1/4 CORNER OF SAID SECTION; THENCE CONTINUING NORTHERLY ALONG THE EAST LINE OF SAID SECTION, N2°21'11\"E A DISTANCE OF 2252.14 FEET; THENCE N89°34'38\"W A DISTANCE OF 681.15 FEET; THENCE S2°05'44\"W A DISTANCE OF 1453.81 FEET; THENCE N74°33'28\"W A DISTANCE OF 936.10 FEET; THENCE N88°04'02\"W A DISTANCE OF 1101.39 FEET; THENCE S2°33'21\"E A DISTANCE OF 3632.94 FEET TO THE SOUTH LINE OF SAID SECTION 7; THENCE EASTERLY, ALONG SAID SOUTH LINE OF SAID SECTION 7, S87°49'40\"E A DISTANCE OF 2610.18 FEET TO THE POINT OF BEGINNING.

CONTAINING 234.56 ACRES MORE OR LESS.

SURVEYOR'S CERTIFICATE:

THIS PLAT CORRECTLY REPRESENTS A SURVEY MADE BY ME OR UNDER MY DIRECTION IN CONFORMANCE WITH THE REQUIREMENTS OF THE LAND SURVEYORS' REGULATION ACT. I CERTIFY THAT I AM A DULY REGISTERED LAND SURVEYOR IN THE STATE OF NEBRASKA.



BASIS OF BEARINGS:

THE BASIS OF BEARINGS FOR THIS SURVEY WAS DERIVED FROM V.R.S. NETWORK SOLUTION, NEBRASKA SPCS ZONE 2600 NAD83 (2011) ALL DISTANCES SHOWN HEREON ARE GROUND DISTANCES

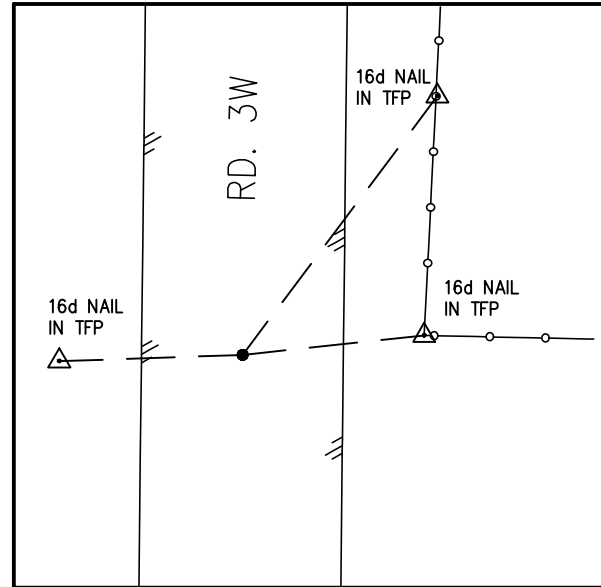
- = FOUND MONUMENT AS NOTED
- (XX) = RECORD DATA PER S.R.R. INDEX 1468/282
- [XX] = RECORD DATA PER GLO NOTES BOOK 274 OR GLO PLAT 2742

O'MALLEY
GEOMATICS
LAND SURVEYORS
office@omalleygeo.com | www.omalleygeo.com
402.915.0513 - 308.250.0672
OMAHA - LINCOLN - SIDNEY

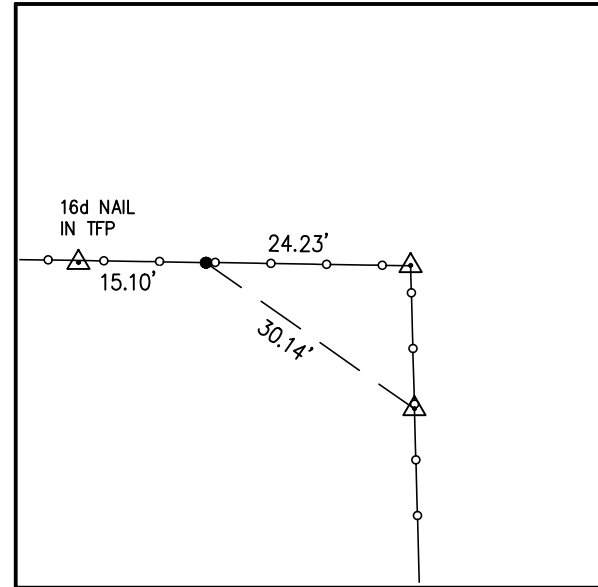
CLIENT:	BALUSKA
SITE:	NW OF INTX OF CR 40N & CR 3W
COUNTY:	KIMBALL
DATE:	09/13/2022
SHEET NUMBER:	1 OF 2
JN:	220255

RECORD OF SURVEY
 LYING IN SECTION 7, TOWNSHIP 15 NORTH, RANGE 58 WEST
 OF THE 6TH PRINCIPAL MERIDIAN
 KIMBALL COUNTY, NEBRASKA

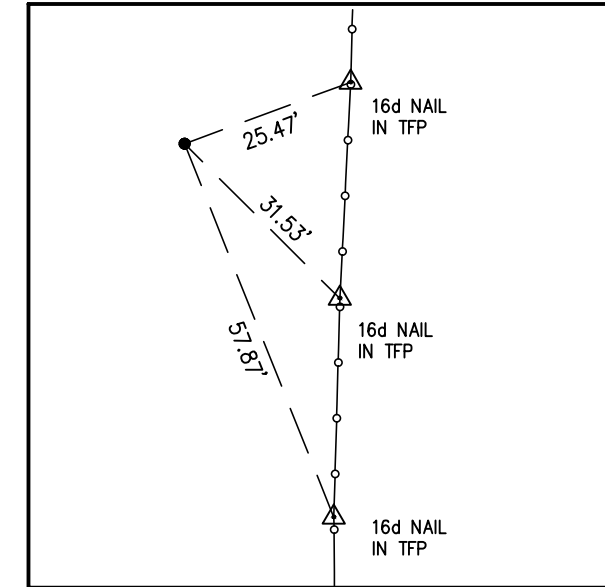
NW COR SEC 7



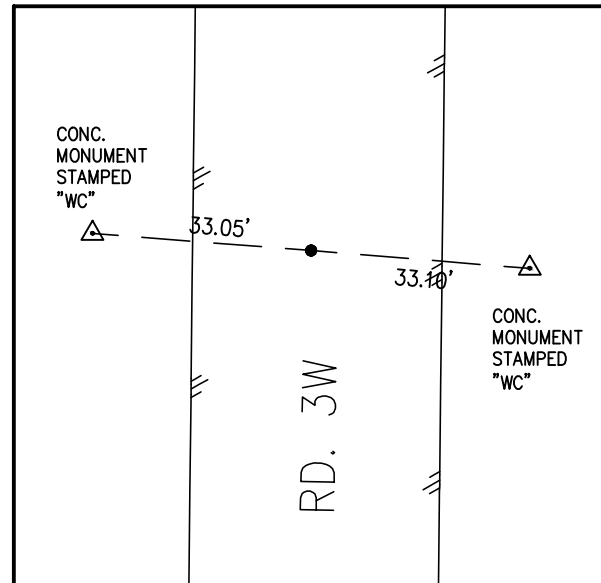
NE COR SEC 7



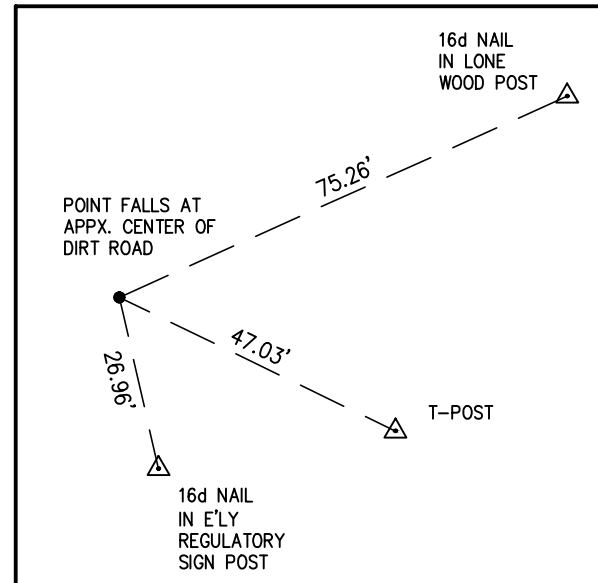
E 1/4 COR SEC 7



W 1/4 COR SEC 7



SW COR SEC 7



SE COR SEC 7

